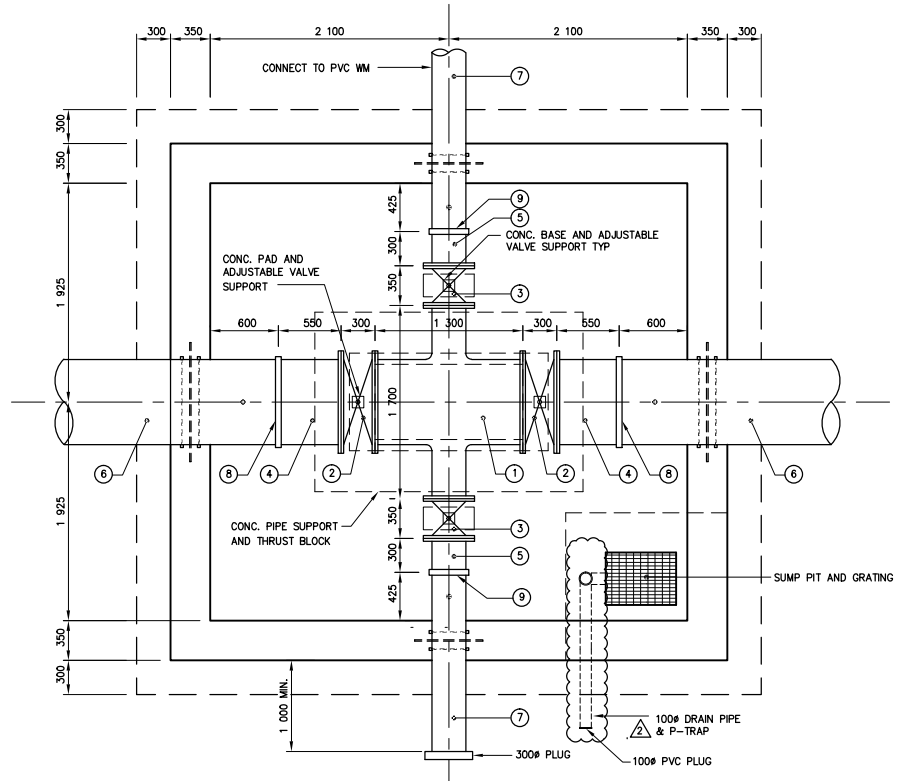


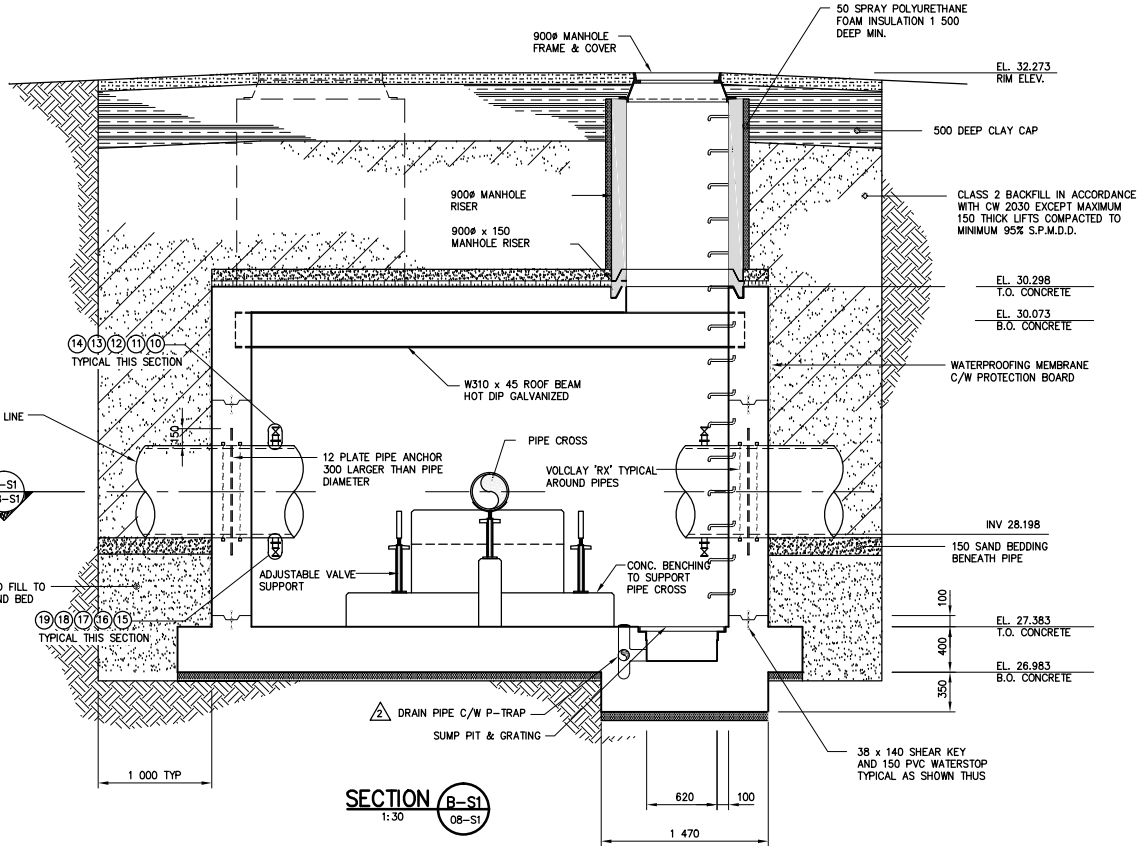
ROOF PLAN
1:30



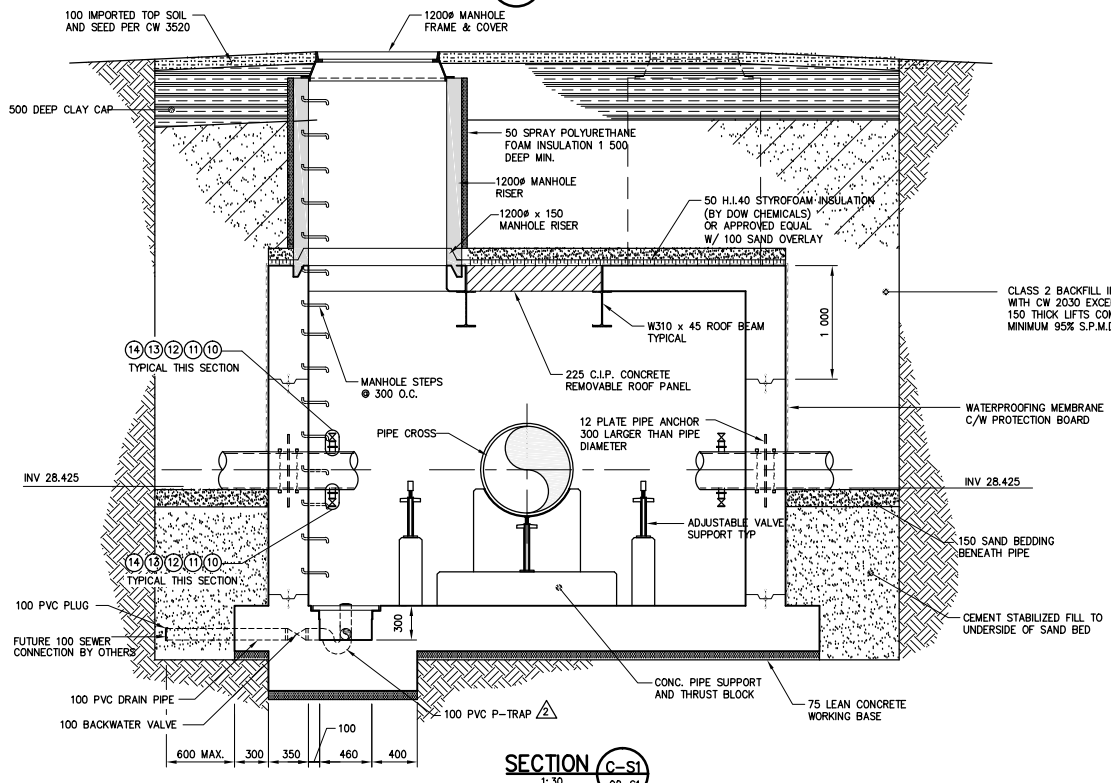
SECTION A-S1
1:30

MATERIAL LIST			
ITEM	DESCRIPTION	QUANTITY	LENGTH
1.	750 x 750 x 300 x 300 CROSS (FLANGED)	1	1300
2.	750mm AWWA C504 BUTTERFLY VALVE (FL x FL) c/w MANUAL ACTUATOR	2	300
3.	300mm AWWA C509 GATE VALVE (FL x FL)	2	350
4.	750 SPOOL PIECE (FL x VC-44)	2	TO SUIT
5.	300 SPOOL PIECE (FL x VC-44)	2	TO SUIT
6.	750 WALL PIECE (VIC-44 x MAINLINE PIPE CONNECTION) c/w THRUST FLANGE AND 50 NPT OUTLET TOP AND 75 NPT OUTLET BOTTOM	2	TO SUIT
7.	300 WALL PIECE (VIC-44 x PE) c/w THRUST FLANGE AND 50 NPT OUTLET (TOP AND BOTTOM)	2	TO SUIT
8.	750 VICTALIC STYLE 44 COUPLING	2	
9.	300 VICTALIC STYLE 44 COUPLING	2	
10.	50 SCHEDULE 80 STEEL NIPPLE (THREADED)	6	
11.	50 STEEL FLANGE CLASS 125 (THREADED) c/w ISOLATION KIT	6	
12.	50 CAST BRONZE OR BRASS FLANGE (THREADED)	6	
13.	50 CAST BRONZE OR BRASS NIPPLE (THREADED)	6	
14.	50 BRONZE GATE VALVE (THREADED)	6	
15.	75 SCHEDULE 80 STEEL NIPPLE (THREADED)	2	
16.	75 STEEL FLANGE CL 125 (THREADED) c/w ISOLATION KIT	2	
17.	75 CAST BRONZE OR BRASS FLANGE (THREADED)	2	
18.	75 CAST BRONZE OR BRASS NIPPLE (THREADED)	2	
19.	75 BRONZE GATE VALVE (THREADED)	2	

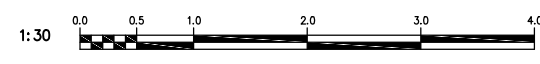
NOTES:
CHAMBER FITTINGS TO BE AWWA C110 DUCTILE IRON OR STEEL
CHAMBER PIPING TO BE AWWA C151 CLASS 54 D.I., AWWA C200 STEEL OR AWWA C301 PCCP



SECTION B-S1
1:30



SECTION C-S1
1:30



NOTE:
These design documents are prepared solely for the use by the party with whom the design professional has entered into a contract and there are no representations of any kind made by the design professional to any party with whom the design professional has not entered into a contract.

A = DETAIL/SECTION No.
B = DRAWING WHERE SHOWN
C = DRAWING WHERE TAKEN

APCCM
Certificate of Authorization
MMM Group Limited
No. 4531 Date: June 14, 2010

METRIC
WHOLE NUMBERS INDICATE MILLIMETRES
DECIMALIZED NUMBERS INDICATE METRES

NO.	REVISIONS	DATE	BY	DATE	BY
2	RELOCATED DRAIN PIPE	10.06.17	EH		
1	ISSUED FOR TENDER	10.06.14	EH		

DESIGNED BY EH	CHECKED BY --
DRAWN BY RCS	APPROVED BY --
HOR. SCALE VERTICAL	RELEASED FOR CONSTRUCTION DATE
AS SHOWN	

ENGINEER'S SEAL
PROVINCE OF MANITOBA
REGISTERED PROFESSIONAL ENGINEER
E. HO
Member
22317

THE CITY OF WINNIPEG
WATER AND WASTE DEPARTMENT

2010 FEEDERMAIN INSTALLATION
AND ASSOCIATED WORKS
BISON DRIVE
OFFTAKE VALVE CHAMBER
CONCRETE DETAILS 1 OF 2

CONSULTANT DRAWING NUMBER
550911-S1
SHEET 8 OF 10
CITY DRAWING NUMBER
D12119

BID OPPORTUNITY 476-2010
PLOT DATE:

Jul 17, 2010 - 5:28pm
P:\550911-000\Drawings\MMM\Drawings\550911-000\550911-000\00507_rca.dwg - Lab Concrete (S1)